

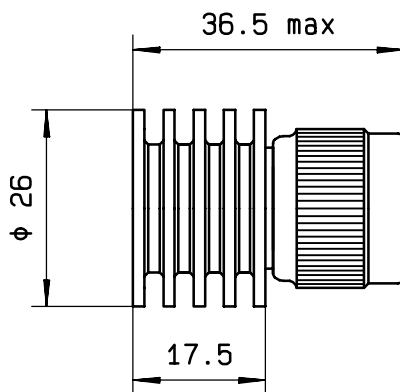


6 W DC- 2 GHz N/male COAXIAL TERMINATION

issue  
27.Oct.92

Page  
1 / 1

**DRAWING**



General tolerances: +/- 0.5 mm

**R F CHARACTERISTICS**

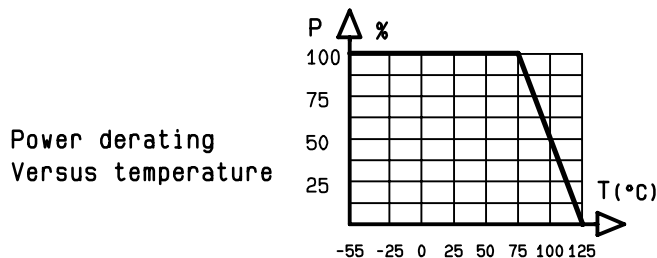
FREQUENCY RANGE : DC - 2 GHz  
 IMPEDANCE : 50 Ohms  
 DC RESISTANCE : 50 Ohms ± 5 %  
 V.S.W.R : DC - 2 GHz : ≤ 1.10  
 PEAK POWER at 25°C (1µs,1%.) : 4kW  
 AVERAGE POWER at 75°C : 6 W

**MECHANICAL CHARACTERISTICS**

CONNECTORS : N male per MIL-C 39012  
 WEIGHT : < 44 g

**ENVIRONMENTAL CHARACTERISTICS**

OPERATING TEMPERATURE RANGE (°C) : -55 , +125  
 STORAGE TEMPERATURE RANGE (°C) : -55 , +125



This information is given as an indication. In the continual goal to improve our products, we reserve the right to make any modifications judged necessary

4112-9212

CREATION				
N° :				
PEN/EP:CAT				
Name:DP	27.10.92	New format	PG	VE
Date:25.Nov.83	20.03.89	New format	KL	VE
APP.:VE	ISSUE	REVISIONS	NAME	APPR.

**RADIALL®**  
 101. rue P. Hoffmann -Z.I Ouest-  
 93116 ROSNY/BOIS Cedex-FRANCE  
 Phone:33(1)49353535  
 Fax :33(1)48546363  
 Twx RADIA 235220F